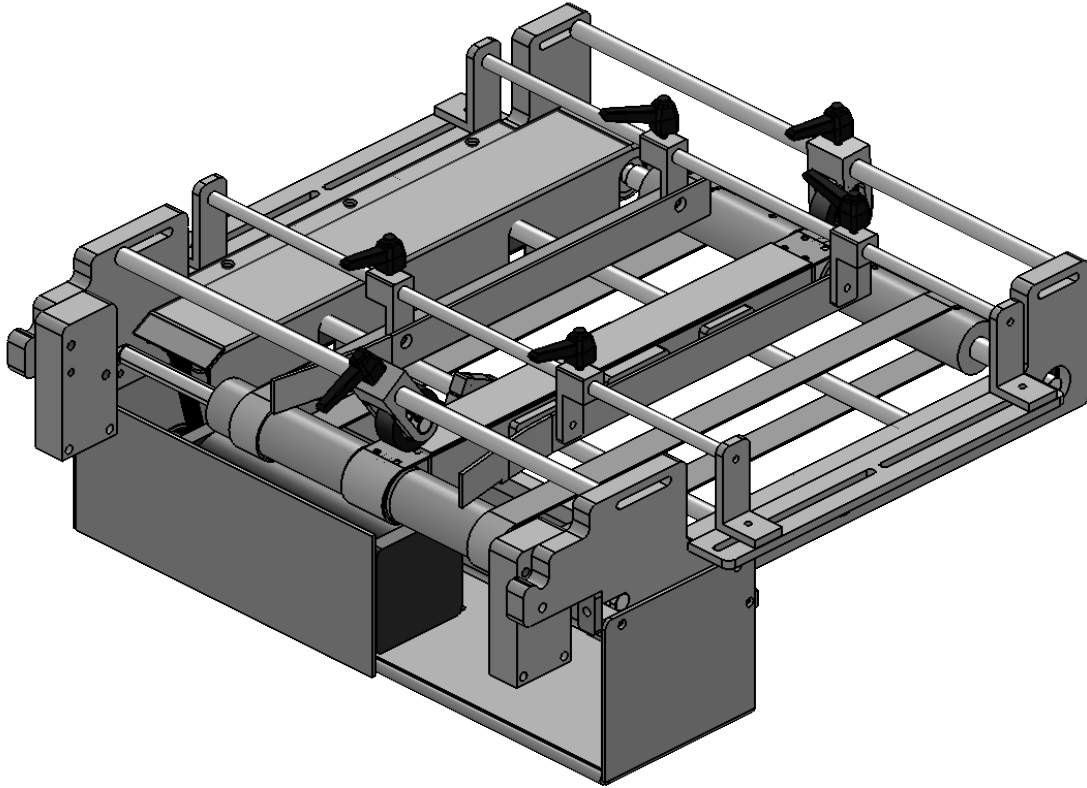


50081
FVT 18"



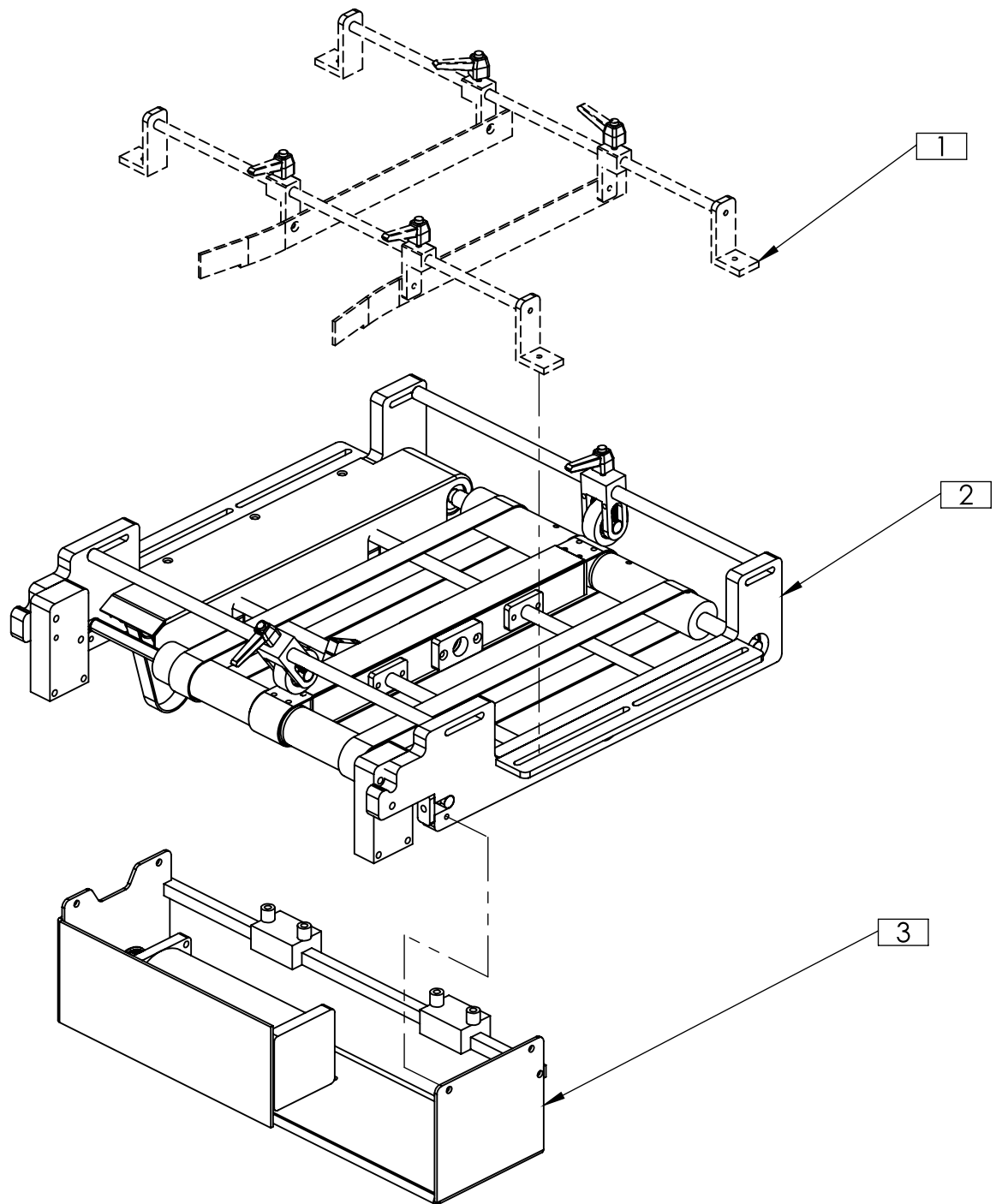
A

Superior

PAPER HANDLING SOLUTIONS

PROPRIETARY AND CONFIDENTIAL

THE INFORMATION CONTAINED IN THIS DRAWING IS THE SOLE PROPERTY OF SUPERIOR PAPER HANDLING SOLUTIONS. ANY REPRODUCTION IN PART OR AS A WHOLE WITHOUT THE WRITTEN PERMISSION OF SUPERIOR PAPER HANDLING SOLUTIONS IS PROHIBITED.



ITEM NO.	PartNo	DESCRIPTION	QTY.
1	400359	SIDE GUIDE KIT (OPTION)	1
2	400361	CARRIAGE ASSEMBLY (18")	1
3	400360	MOTOR ASSEMBLY	1

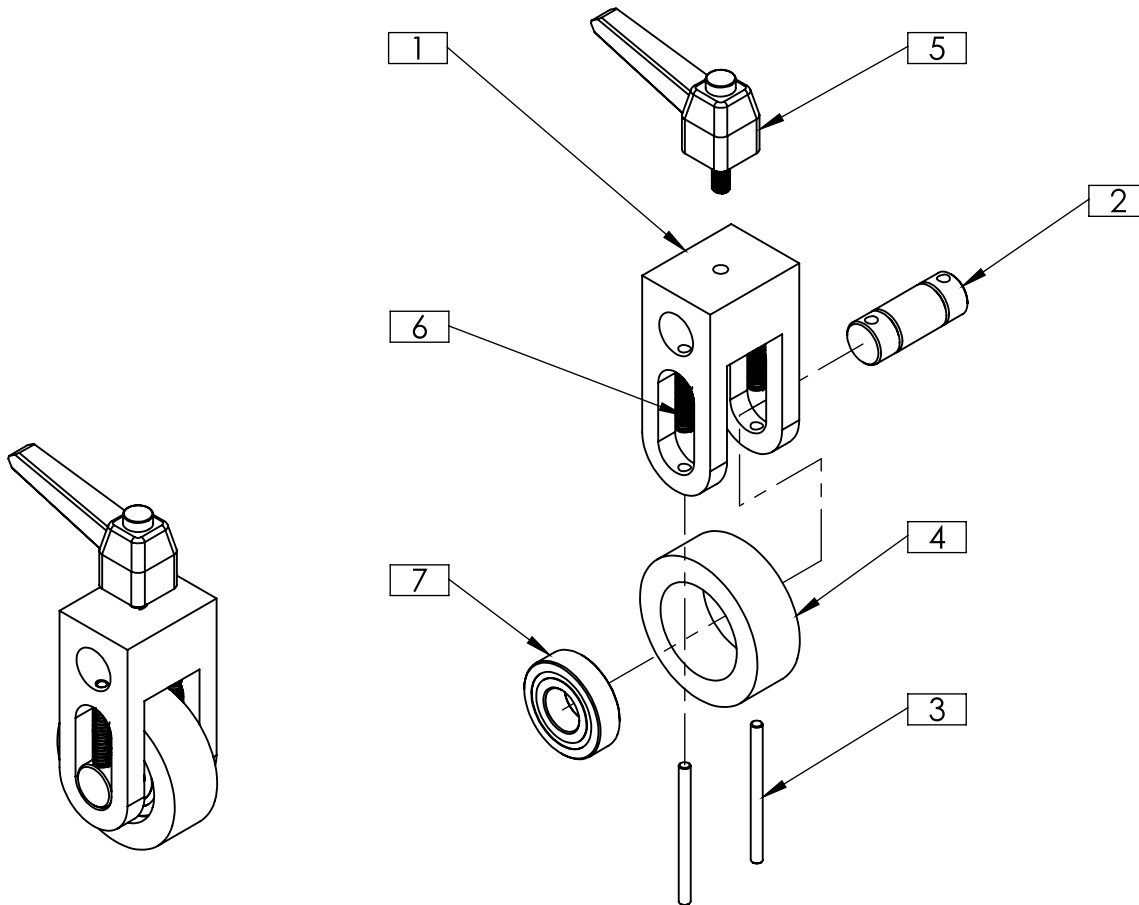
PROPRIETARY AND CONFIDENTIAL

THE INFORMATION CONTAINED IN THIS DRAWING IS THE SOLE PROPERTY OF SUPERIOR PAPER HANDLING SOLUTIONS. ANY REPRODUCTION IN PART OR AS A WHOLE WITHOUT THE WRITTEN PERMISSION OF SUPERIOR PAPER HANDLING SOLUTIONS IS PROHIBITED.

Superior
PAPER HANDLING SOLUTIONS

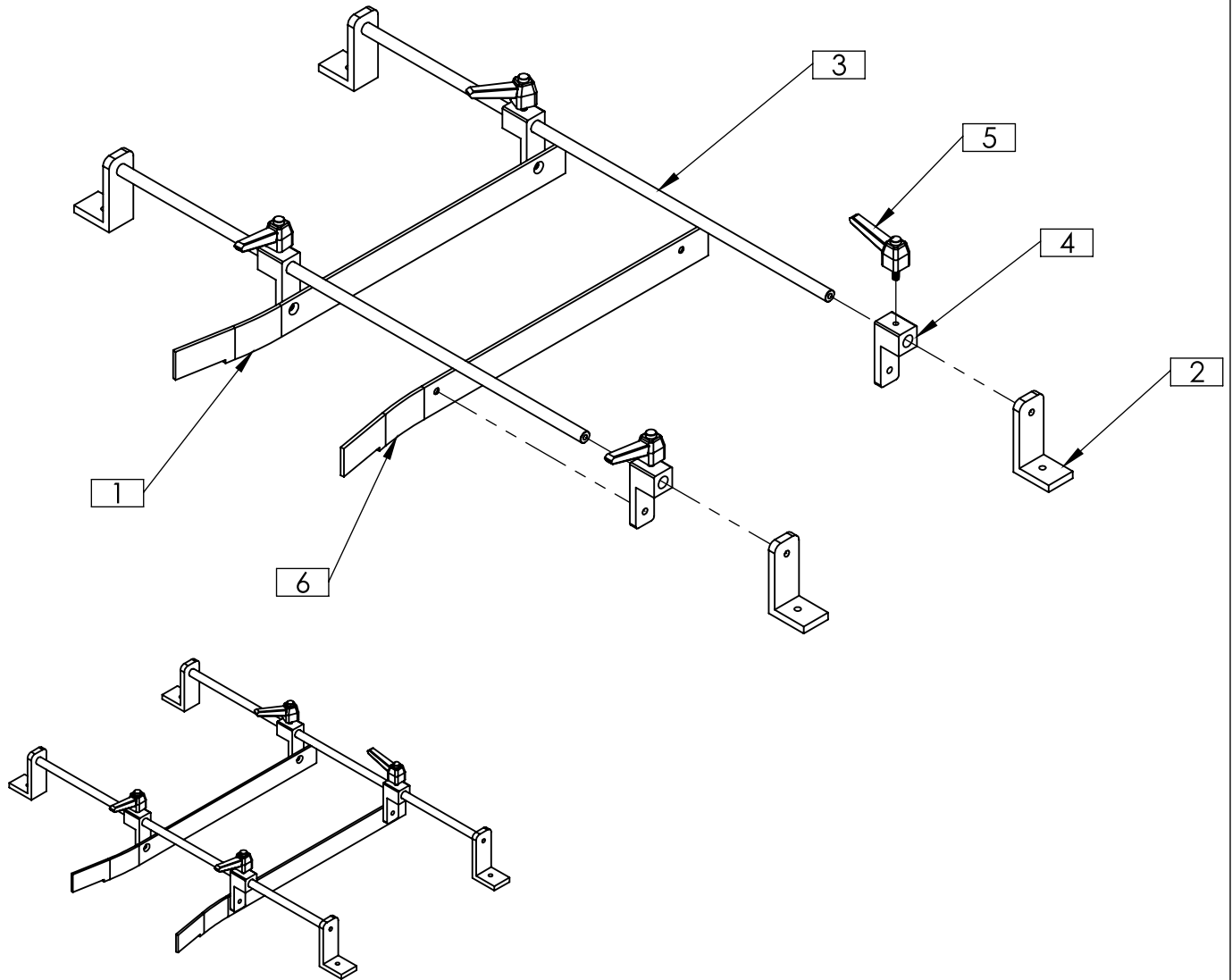
Assembly Number:
500081

NIP ROLLER ASSEMBLY



ITEM NO.	PartNo	DESCRIPTION	QTY.
1	100434	YOLK MOUNT	1
2	100436	AXLE SHAFT	1
3	350023	DOWEL PIN	2
4	100435	DELFIN ROLLER	1
5	100373	HANDLE	1
6	350024	SPRING	2
7	100141	BEARING	1

SIDE GUIDE KIT (18") (OPTION)



ITEM NO.	PartNo	DESCRIPTION	QTY.
1	301961	SIDE GUIDE LT (OPTION)	1
2	301953	SIDE GUIDE MOUNT (OPTION)	4
3	301954	SIDE GUIDE BAR (OPTION)	2
4	301959	ADJUSTMENT BLOCK (OPTION)	4
5	100373	HANDLE (OPTION)	4
6	301962	SIDE GUIDE RT (OPTION)	1

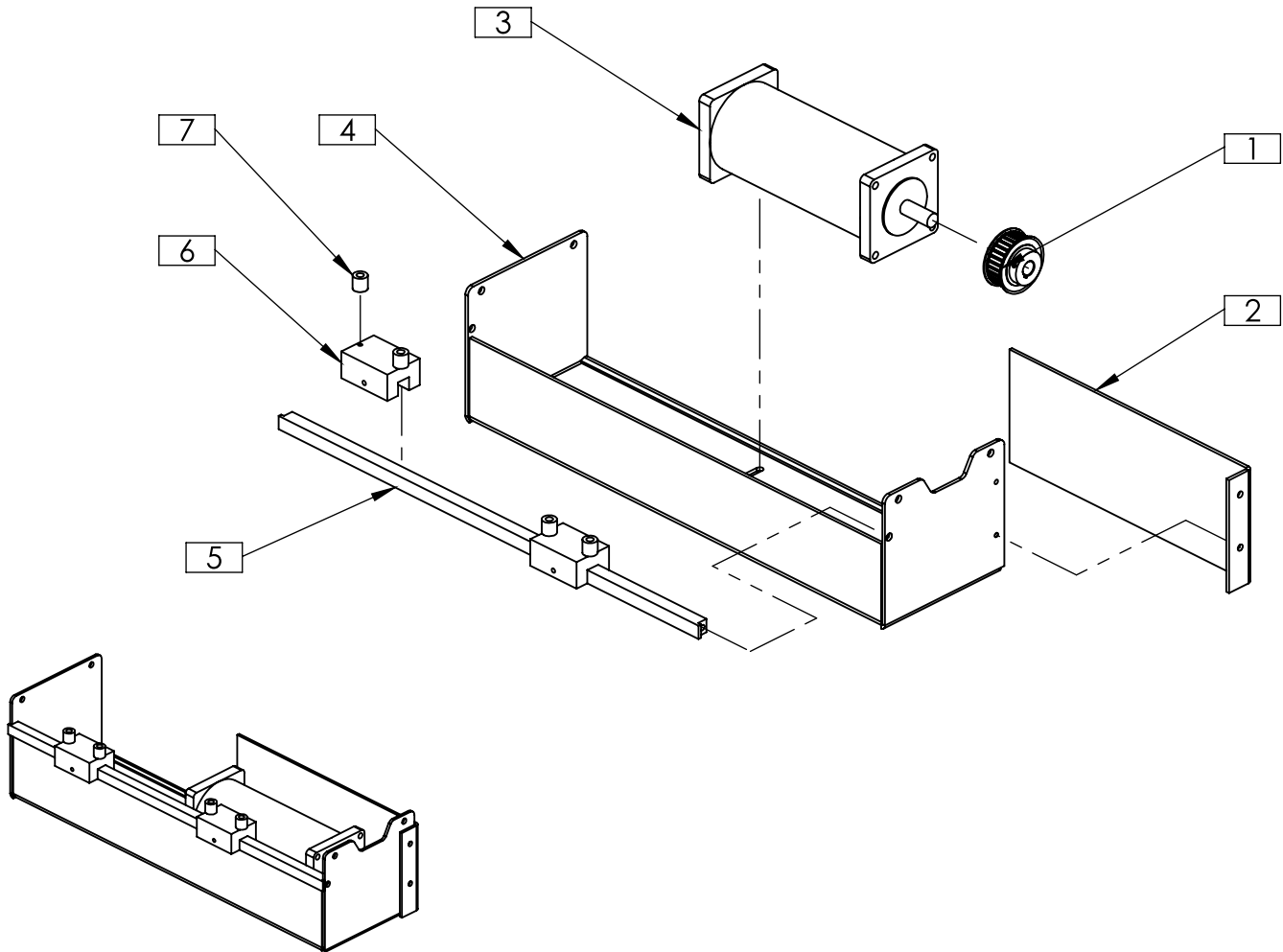
PROPRIETARY AND CONFIDENTIAL

THE INFORMATION CONTAINED IN THIS DRAWING IS THE SOLE PROPERTY OF SUPERIOR PAPER HANDLING SOLUTIONS. ANY REPRODUCTION IN PART OR AS A WHOLE WITHOUT THE WRITTEN PERMISSION OF SUPERIOR PAPER HANDLING SOLUTIONS IS PROHIBITED.

Superior
PAPER HANDLING SOLUTIONS

Assembly Number:
400359

MOTOR ASSEMBLY



ITEM NO.	PartNo	DESCRIPTION	QTY.
1	350021	TIMING PULLEY	1
2	301960	MOTOR GUARD	1
3	350018	MOTOR	1
4	301767	MOTOR PAN	1
5	301768	BLOCK SLIDE RAIL	1
6	301780	BELT GUIDE ADJUSTMENT BLOCK	2
7	350019	STANDOFF	4

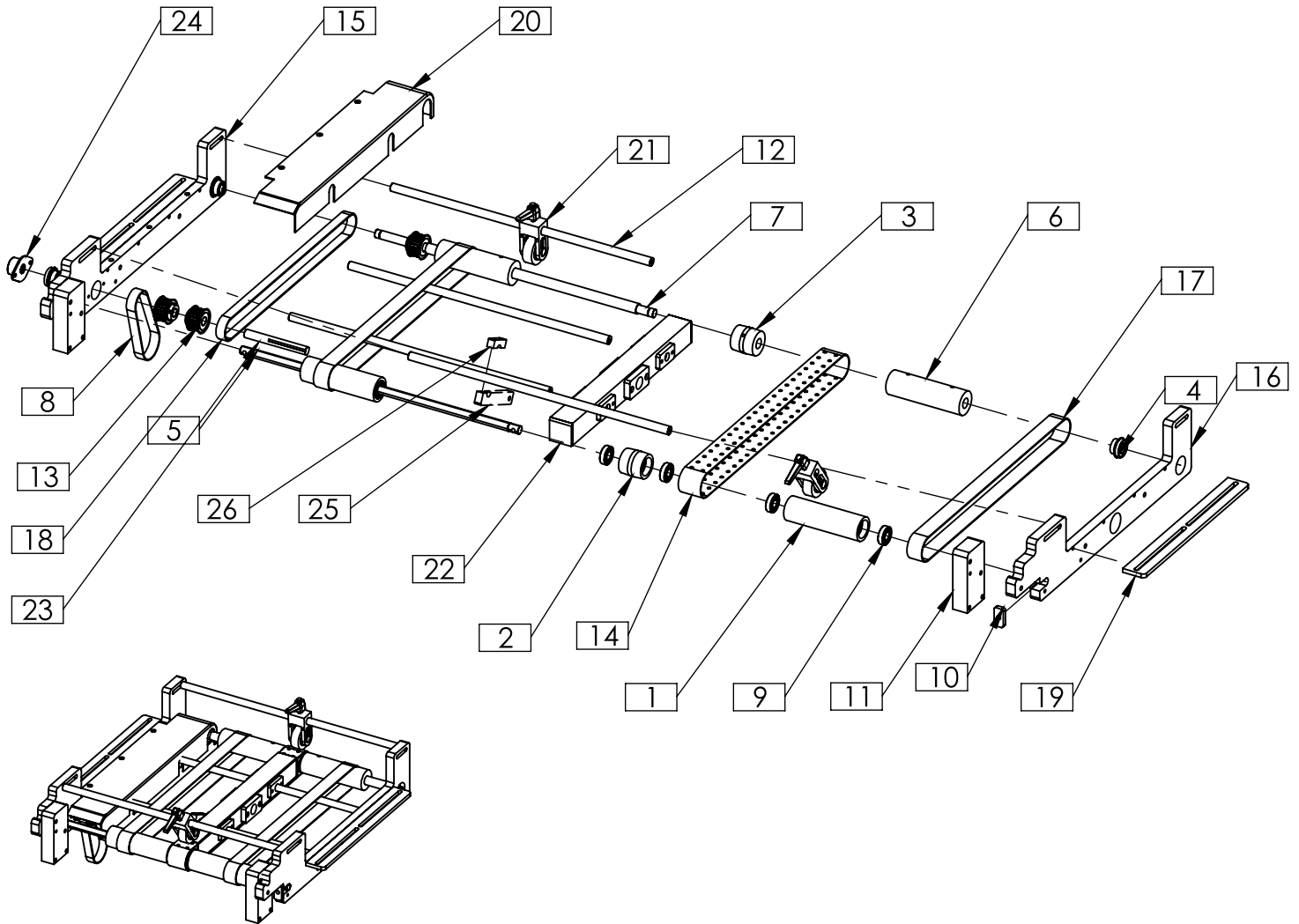
PROPRIETARY AND CONFIDENTIAL

THE INFORMATION CONTAINED IN THIS DRAWING IS THE SOLE PROPERTY OF SUPERIOR PAPER HANDLING SOLUTIONS. ANY REPRODUCTION IN PART OR AS A WHOLE WITHOUT THE WRITTEN PERMISSION OF SUPERIOR PAPER HANDLING SOLUTIONS IS PROHIBITED.

Superior
PAPER HANDLING SOLUTIONS

Assembly Number:
400360

CARRIAGE ASSEMBLY (18")



ITEM NO.	PartNo	DESCRIPTION	QTY.
1	301779	IDLER ROLLER	2
2	301781	CROWNED IDLER PULLEY	1
3	301782	CROWNED DRIVE PULLEY	1
4	301269	BEARING	3
5	301765	REAR IDLER SHAFT	1
6	301778	DRIVE ROLLER	2
7	301766	EXTENDED DRIVE SHAFT	1
8	350138	MOTOR TIMING BELT	1
9	100141	BEARING	6
10	301764	ADJUSTMENT CAP	2
11	301797	FEEDER MOUNT	2
12	301763	SUPPORT SHAFT	4
13	350033	TIMING PULLEY	3

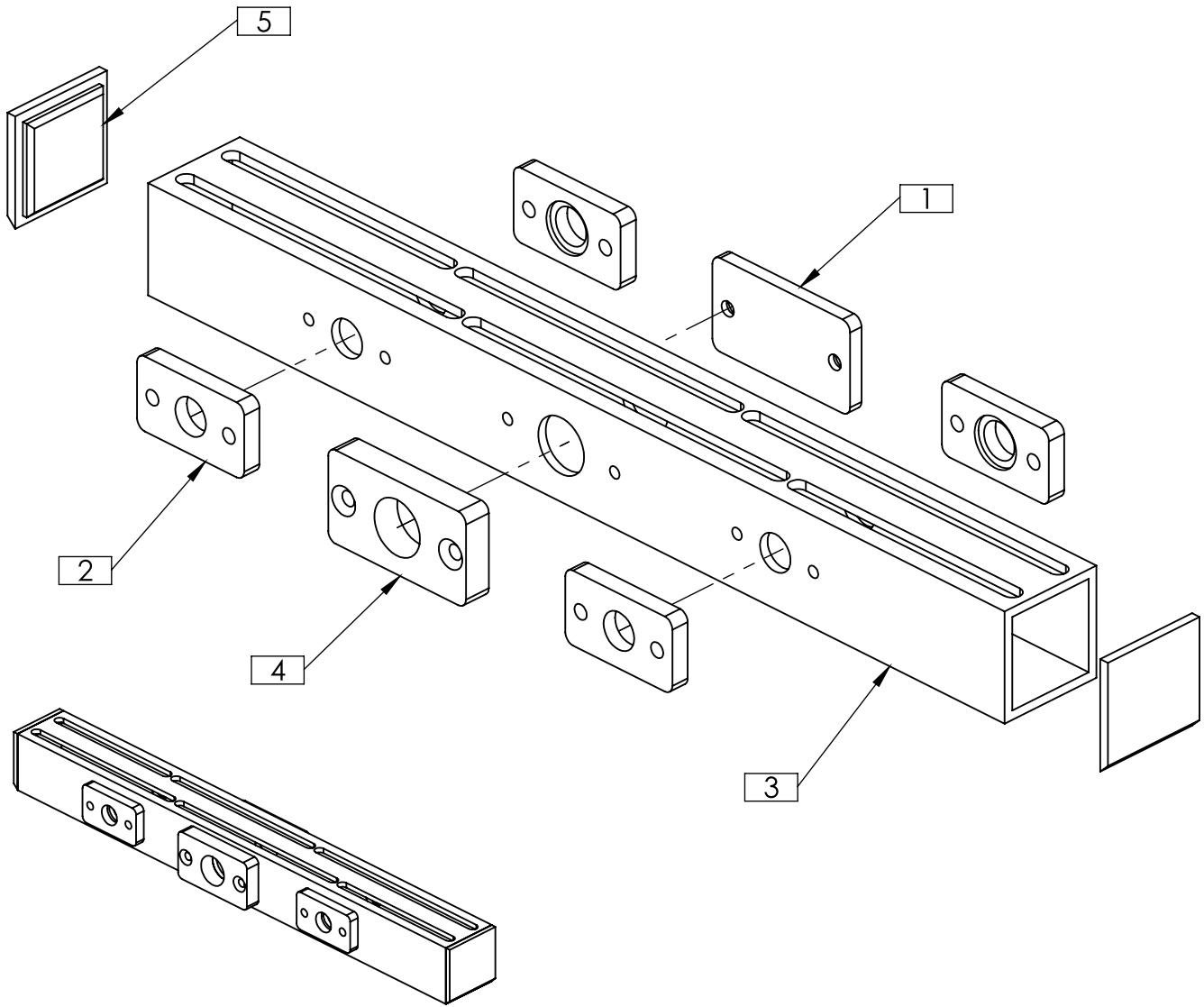
ITEM NO.	PartNo	DESCRIPTION	QTY.
14	301796	VACUUM BELT	1
15	301762	LEFT VAC ARM	1
16	301761	RIGHT VAC ARM	1
17	301795	TABLE BELT	2
18	301770	TRANSFER BELT	1
19	301776	UNIVERSAL WING	2
20	301775	BELT GUARD	1
21	400282	NIP ROLLER ASSEMBLY	2
22	400362	VACUUM MANIFOLD ASSEMBLY (18")	1
23	301773	DRIVE SHAFT	1
24	301769	BEARING	1
25	301977	IG ENCODER LOWER BRACKET (OPTION)	1
26	301978	IG ENCODER UPPER BRACKET (OPTION)	1

PROPRIETARY AND CONFIDENTIAL
 THE INFORMATION CONTAINED IN THIS DRAWING IS THE SOLE PROPERTY OF SUPERIOR PAPER HANDLING SOLUTIONS. ANY REPRODUCTION IN PART OR AS A WHOLE WITHOUT THE WRITTEN PERMISSION OF SUPERIOR PAPER HANDLING SOLUTIONS IS PROHIBITED.

Superior
 PAPER HANDLING SOLUTIONS

Assembly Number:
400361

VACUUM MANIFOLD ASSEMBLY (18")



ITEM NO.	PartNo	DESCRIPTION	QTY.
1	301777	VACUUM CAP	1
2	301784	VACUUM SHAFT MOUNT	4
3	301783	VACUUM MANIFOLD	1
4	301785	MANIFOLD PLATE	1
5	301786	MANIFOLD END CAP	2

PROPRIETARY AND CONFIDENTIAL

THE INFORMATION CONTAINED IN THIS DRAWING IS THE SOLE PROPERTY OF SUPERIOR PAPER HANDLING SOLUTIONS. ANY REPRODUCTION IN PART OR AS A WHOLE WITHOUT THE WRITTEN PERMISSION OF SUPERIOR PAPER HANDLING SOLUTIONS IS PROHIBITED.

Superior
PAPER HANDLING SOLUTIONS

Assembly Number:
400362