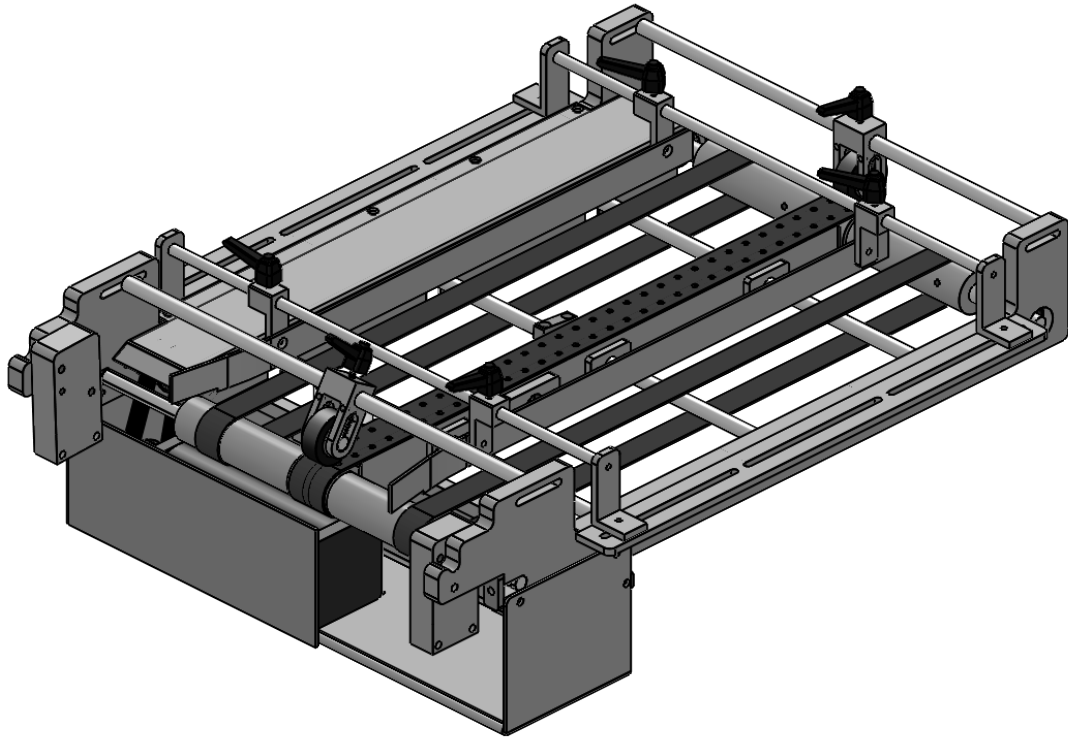


500082
FVT 24"



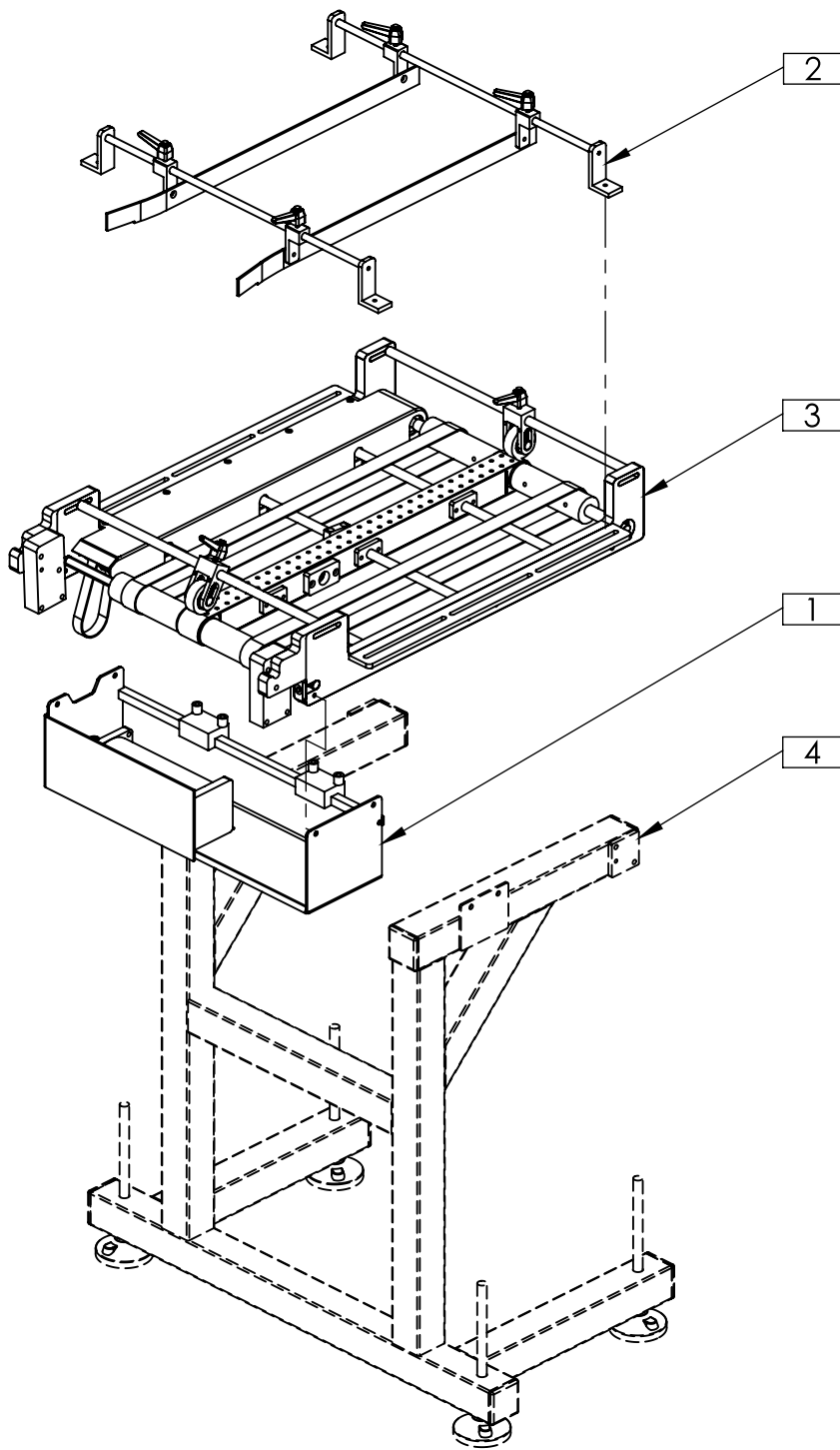
B

Superior

PAPER HANDLING SOLUTIONS

PROPRIETARY AND CONFIDENTIAL

THE INFORMATION CONTAINED IN THIS DRAWING IS THE SOLE PROPERTY OF SUPERIOR PAPER HANDLING SOLUTIONS. ANY REPRODUCTION IN PART OR AS A WHOLE WITHOUT THE WRITTEN PERMISSION OF SUPERIOR PAPER HANDLING SOLUTIONS IS PROHIBITED.



ITEM NO.	PartNo	DESCRIPTION	QTY.
1	400360	MOTOR ASSEMBLY	1
2	400364	SIDE GUIDE KIT	1
3	400365	CARRIAGE ASSEMBLY (24")	1
4	400414	STAND ASSEMBLY (OPTION)	1

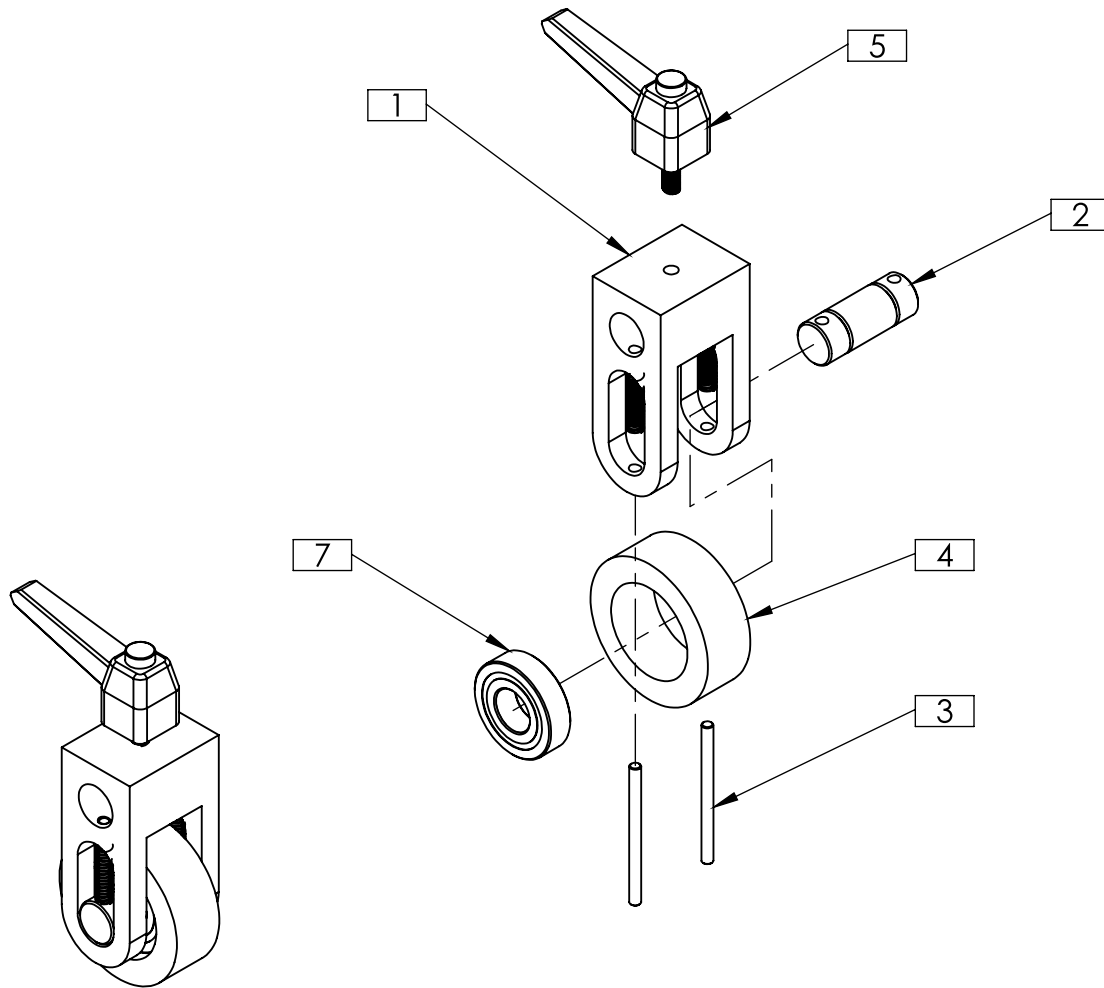
PROPRIETARY AND CONFIDENTIAL

THE INFORMATION CONTAINED IN THIS DRAWING IS THE SOLE PROPERTY OF SUPERIOR PAPER HANDLING SOLUTIONS. ANY REPRODUCTION IN PART OR AS A WHOLE WITHOUT THE WRITTEN PERMISSION OF SUPERIOR PAPER HANDLING SOLUTIONS IS PROHIBITED.

Superior
PAPER HANDLING SOLUTIONS

Assembly Number:
500082

NIP ROLLER ASSEMBLY



ITEM NO.	PartNo	DESCRIPTION	QTY.
1	100434	YOLK MOUNT	1
2	100436	AXLE SHAFT	1
3	350023	DOWEL PIN	2
4	100435	DELKIN ROLLER	1
5	100373	HANDLE	1
6	350024	SPRING	2
7	100141	BEARING	1

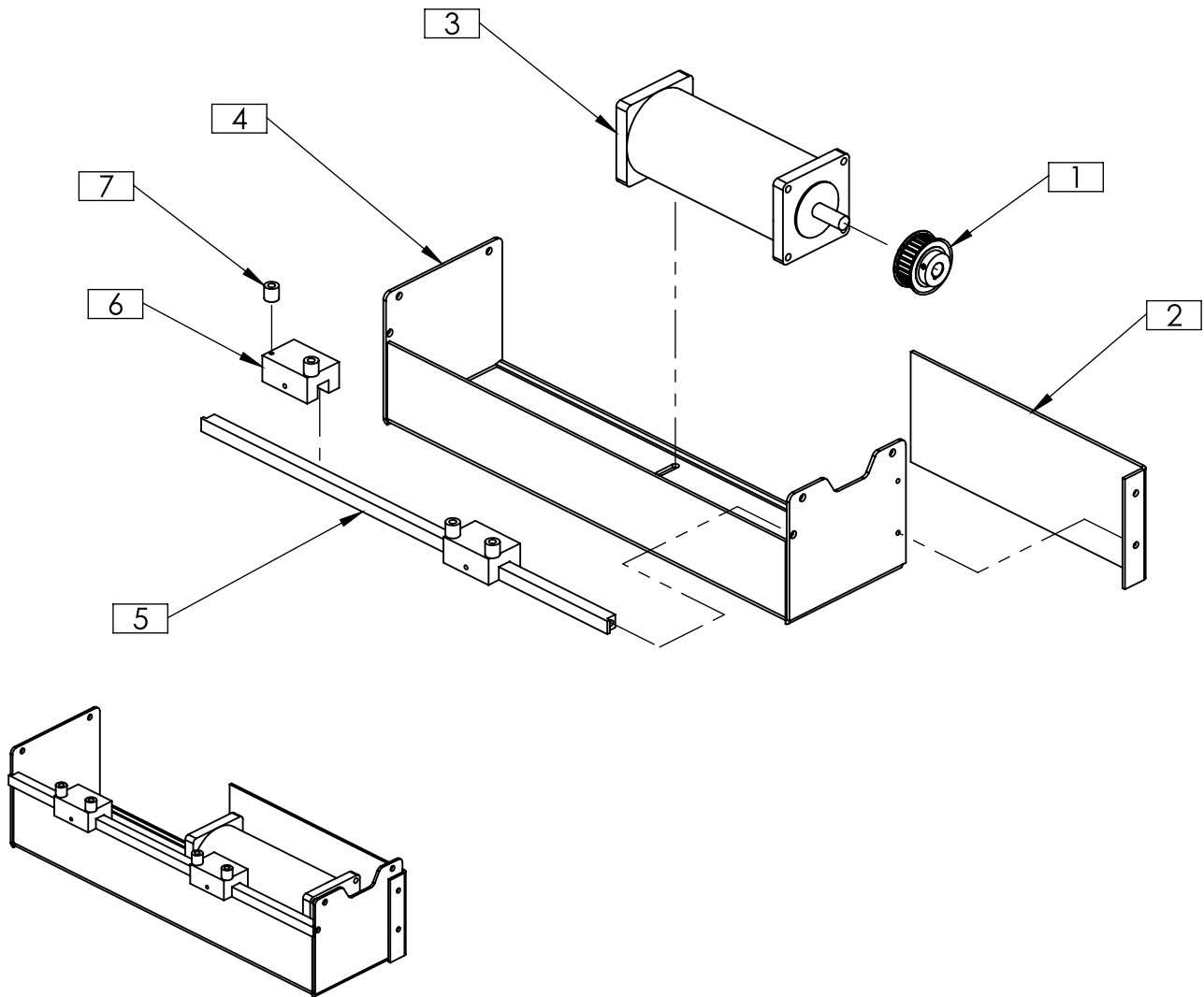
PROPRIETARY AND CONFIDENTIAL

THE INFORMATION CONTAINED IN THIS DRAWING IS THE SOLE PROPERTY OF SUPERIOR PAPER HANDLING SOLUTIONS. ANY REPRODUCTION IN PART OR AS A WHOLE WITHOUT THE WRITTEN PERMISSION OF SUPERIOR PAPER HANDLING SOLUTIONS IS PROHIBITED.

Superior
PAPER HANDLING SOLUTIONS

Assembly Number:
400282

MOTOR ASSEMBLY



ITEM NO.	PartNo	DESCRIPTION	QTY.
1	350021	TIMING PULLEY	1
2	301960	MOTOR GUARD	1
3	350018	MOTOR	1
4	301767	MOTOR PAN	1
5	301768	BLOCK SLIDE RAIL	1
6	301780	BELT GUIDE ADJUSTMENT BLOCK	2
7	350019	STANDOFF	4

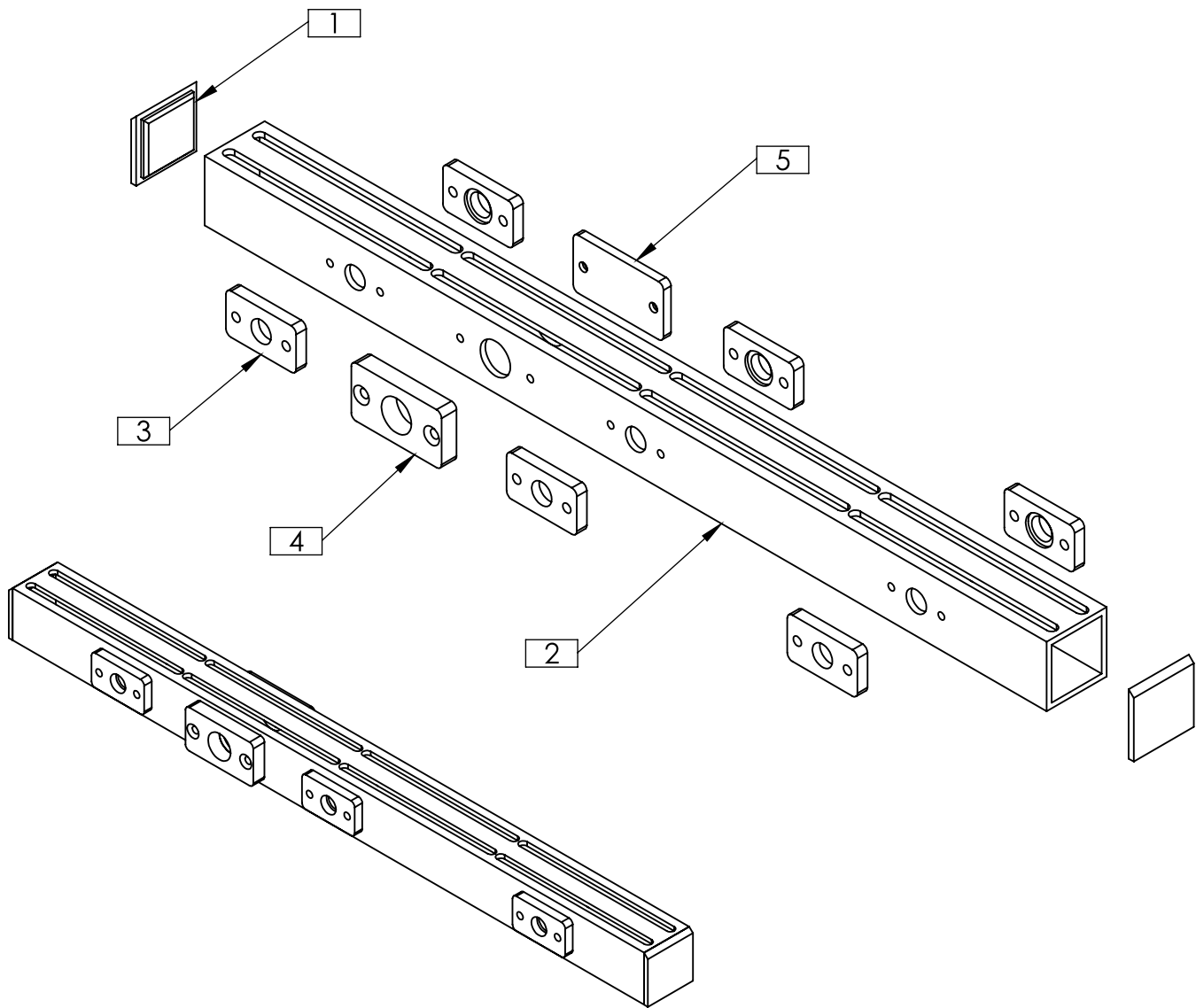
PROPRIETARY AND CONFIDENTIAL

THE INFORMATION CONTAINED IN THIS DRAWING IS THE SOLE PROPERTY OF SUPERIOR PAPER HANDLING SOLUTIONS. ANY REPRODUCTION IN PART OR AS A WHOLE WITHOUT THE WRITTEN PERMISSION OF SUPERIOR PAPER HANDLING SOLUTIONS IS PROHIBITED.

Superior
PAPER HANDLING SOLUTIONS

Assembly Number:
400360

VACUUM MANIFOLD ASSEMBLY (24")



ITEM NO.	PartNo	DESCRIPTION	QTY.
1	301786	MANIFOLD END CAP	2
2	301791	VACUUM MANIFOLD	1
3	301784	VACUUM SHAFT MOUNT	6
4	301785	MANIFOLD PLATE	1
5	301777	VACUUM CAP	1

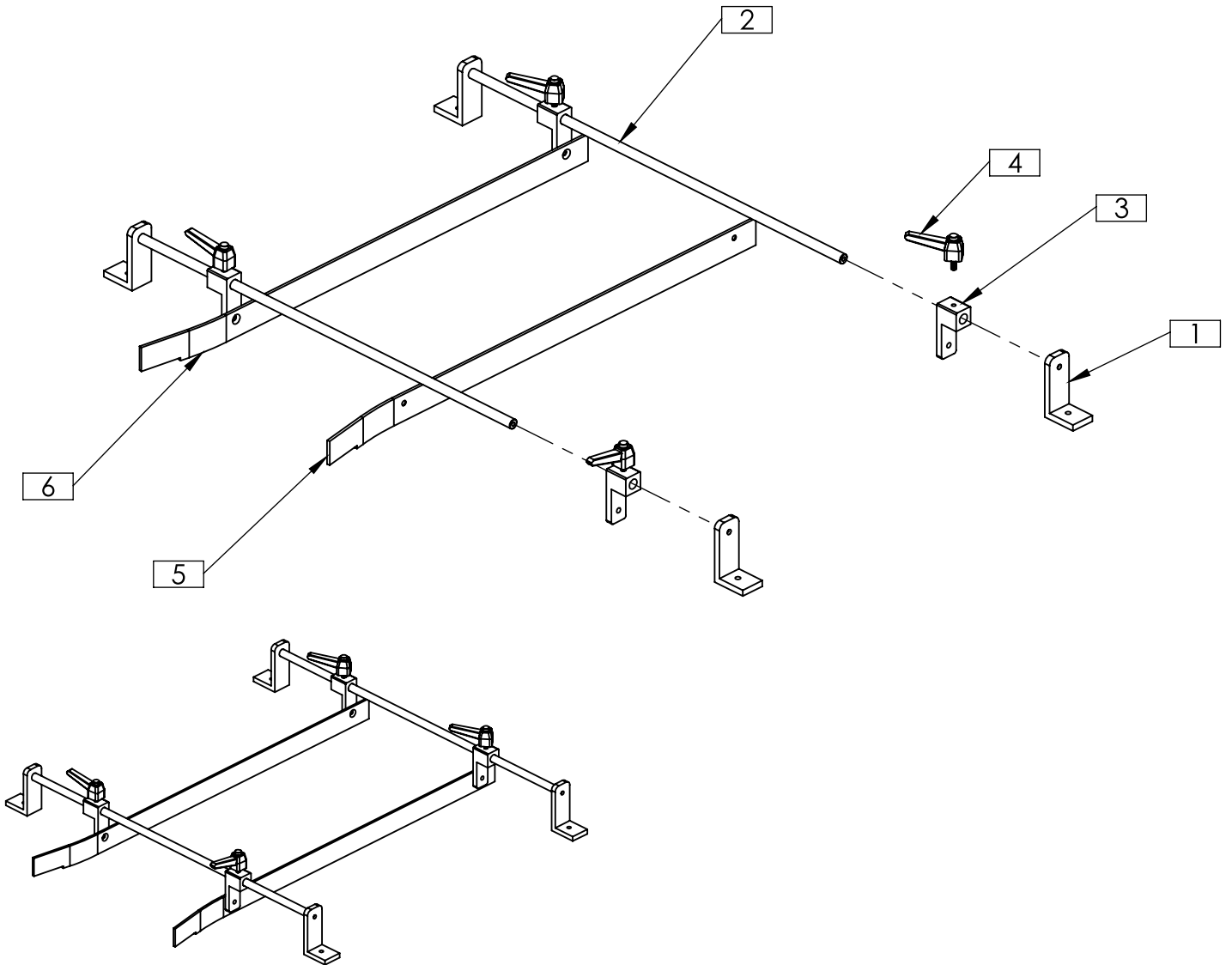
PROPRIETARY AND CONFIDENTIAL

THE INFORMATION CONTAINED IN THIS DRAWING IS THE SOLE PROPERTY OF SUPERIOR PAPER HANDLING SOLUTIONS. ANY REPRODUCTION IN PART OR AS A WHOLE WITHOUT THE WRITTEN PERMISSION OF SUPERIOR PAPER HANDLING SOLUTIONS IS PROHIBITED.

Superior
PAPER HANDLING SOLUTIONS

Assembly Number:
400363

SIDE GUIDE KIT (24")



ITEM NO.	PartNo	DESCRIPTION	QTY.
1	301953	SIDE GUIDE MOUNT	4
2	301954	SIDE GUIDE BAR	2
3	301959	ADJUSTMENT BLOCK	4
4	100373	HANDLE	4
5	301958	SIDE GUIDE RT	1
6	301957	SIDE GUIDE LT	1

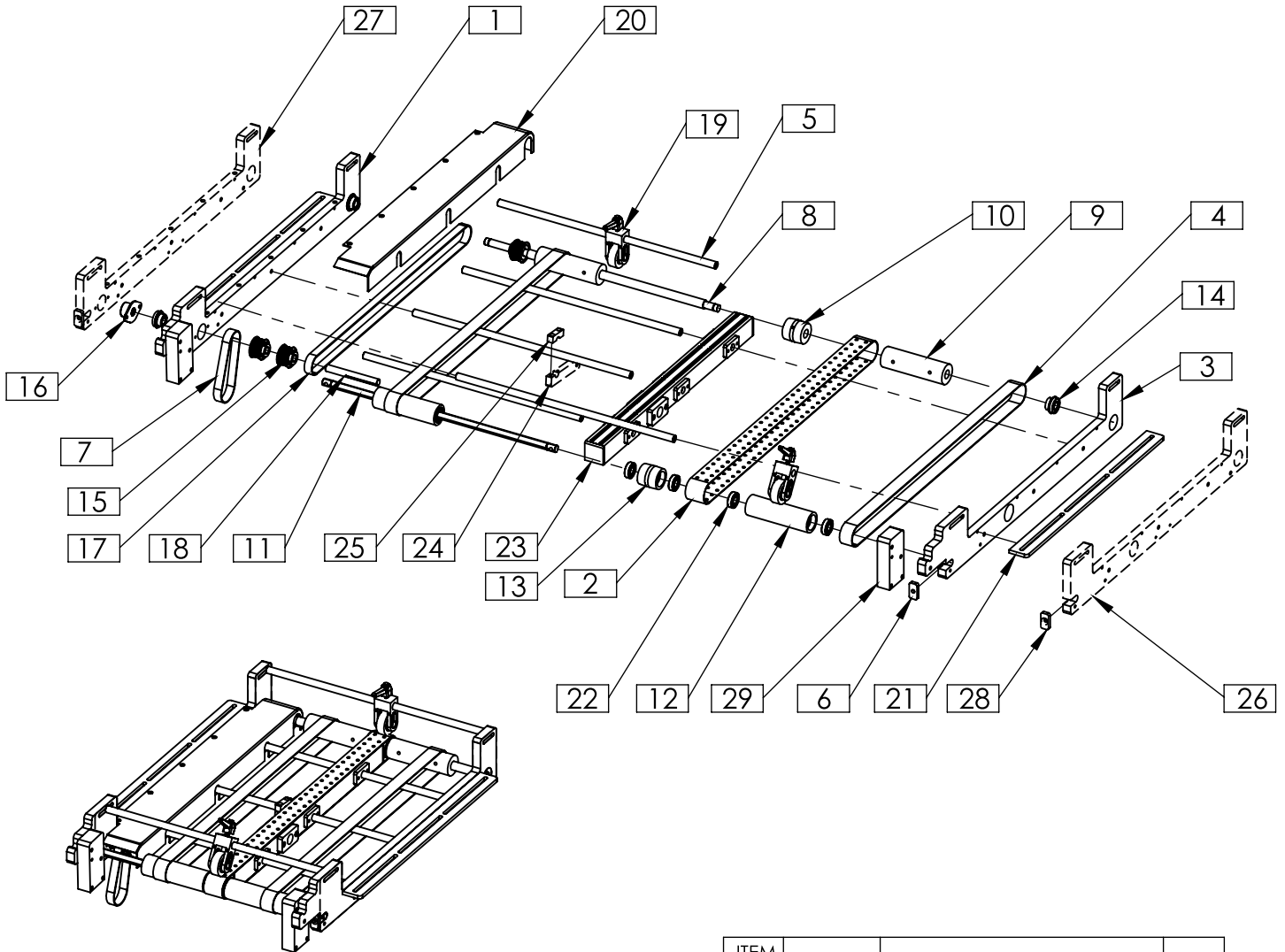
PROPRIETARY AND CONFIDENTIAL

THE INFORMATION CONTAINED IN THIS DRAWING IS THE SOLE PROPERTY OF SUPERIOR PAPER HANDLING SOLUTIONS. ANY REPRODUCTION IN PART OR AS A WHOLE WITHOUT THE WRITTEN PERMISSION OF SUPERIOR PAPER HANDLING SOLUTIONS IS PROHIBITED.

Superior
PAPER HANDLING SOLUTIONS

Assembly Number:
400364

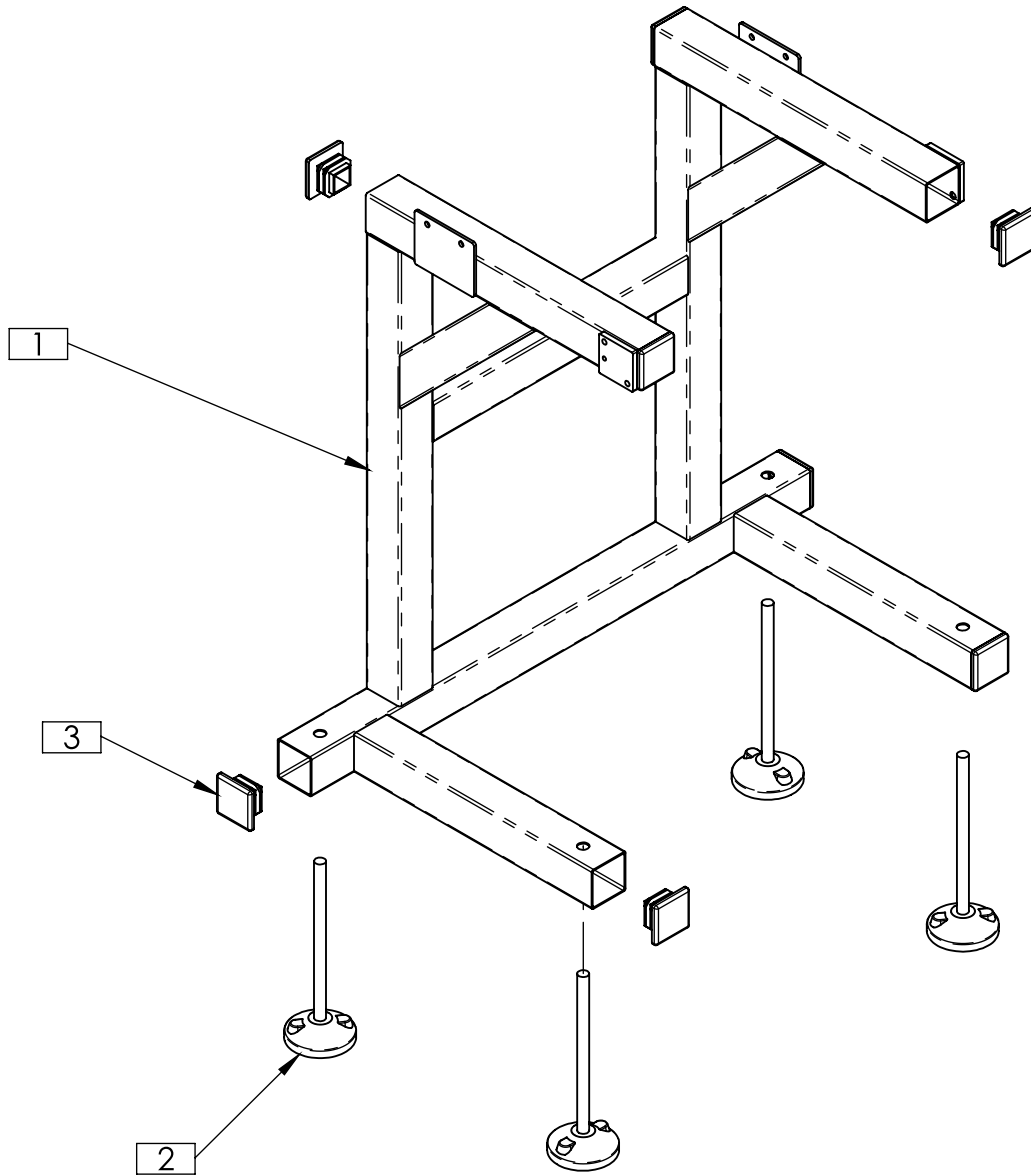
CARRIAGE ASSEMBLY (24")



ITEM NO.	PartNo.	DESCRIPTION	QTY.
1	301788	LEFT VAC ARM	1
2	301792	VACUUM BELT	1
3	301787	RIGHT VAC ARM	1
4	301793	TABLE BELT	2
5	301763	SUPPORT SHAFT	5
6	301764	ADJUSTMENT CAP	2
7	350138	MOTOR TIMING BELT	1
8	301766	EXTENDED DRIVE SHAFT	1
9	301778	DRIVE ROLLER	2
10	301782	CROWNED DRIVE PULLEY	1
11	301765	REAR IDLER SHAFT	1
12	301779	IDLER ROLLER	2
13	301781	CROWNED IDLER PULLEY	1
14	301269	BEARING	3

ITEM NO.	PartNo.	DESCRIPTION	QTY.
15	350033	TIMING PULLEY	3
16	301769	BEARING	1
17	350139	BELT	1
18	301773	DRIVE SHAFT	1
19	400282	NIP ROLLER ASSEMBLY	2
20	301790	BELT GUARD	1
21	301789	MOUNT WINGS	2
22	100141	BEARING	6
23	400363	VACUUM MANIFOLD ASSEMBLY (24")	1
24	301977	IG ENCODER LOWER BRACKET (OPTION)	1
25	301978	IG ENCODER UPPER BRACKET (OPTION)	1
26	301992	RIGHT VAC ARM (OPTION)	1
27	301993	LEFT VAC ARM (OPTION)	1
28	301994	ADJUSTMENT CAP STAND (OPTION)	2
29	301797	FEEDER MOUNT	2

STAND ASSEMBLY (24") (OPTION)



ITEM NO.	PartNo	DESCRIPTION	QTY.
1	400413	STAND WELDMENT (OPTION)	1
2	101051	PEDESTAL FOOT (OPTION)	4
3	301285	END CAP (OPTION)	8

PROPRIETARY AND CONFIDENTIAL

THE INFORMATION CONTAINED IN THIS DRAWING IS THE SOLE PROPERTY OF SUPERIOR PAPER HANDLING SOLUTIONS. ANY REPRODUCTION IN PART OR AS A WHOLE WITHOUT THE WRITTEN PERMISSION OF SUPERIOR PAPER HANDLING SOLUTIONS IS PROHIBITED.

Superior
PAPER HANDLING SOLUTIONS

Assembly Number:
400414